

Phoenix Medication Carts

ECONOMY SERIES SKINNY 260



REMOVABLE PLASTIC TOP

Easy to remove and clean.
Dark gray finish hides
unsightly pen marks.

REMOVABLE WASTE CONTAINER

Now with easy install hang holes.

MED CASTERS

Casters designed specifically for the
medical industry. The nylon
construction wears better than steel
and operates quieter. The wheel cover
keeps out dirt, hair and mop strings.

ECONOMY SERIES SKINNY 260

CAPACITY: 170-260 Cards

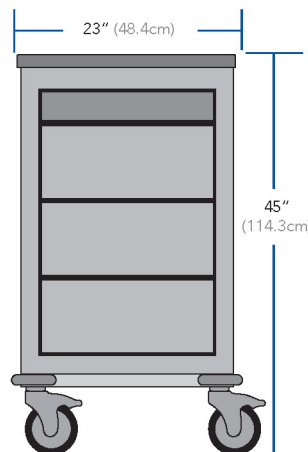
WORK HEIGHT: 45" (114.3cm)

SECURITY: Lockable Narc box

DRAWERS

16.25"w x 16.5"d (52.07 x 45.75cm):

- (1) 3"h (7.62cm) | 4 dividers/4 subdividers
- (3) 9"h (16.26cm) | 2 dividers/1 subdivider



DEPTH: 24.5" (62.23cm)